

Evolution

BIOCLEAN

A stunning new development,
50% more effective than
our proven market leader 5G,
and designed to work with our
Patented Automated Cleaning System

Gain an extra hour production a day



www.cleanprintsolutions.com

EVOLUTION BIOCLEAN - YOUR ANILOX'S ARE ALWAYS CLEAN. A COMPLETE TOTALLY AUTOMATED SOLUTION FOR YOUR PLANT

Evolution

BIOCLEAN gives you an extra hour of production a day.

The 'BIOCLEAN' patented automatic system has become an international industry standard and our 5G has been recognised as an astounding success in the printing industry. Now, EVOLUTION BIOCLEAN moves the bar ahead yet again. With our continuous development program and optimisation of our interactive molecular formulations, EVOLUTION BIOCLEAN now offers an amazing 2-4 minute wash cycle - a 50% reduction in the wash cycle time.

Plus you get increased savings through higher supplied concentration and greater dilution rates at the print machine. EVOLUTION BIOCLEAN is cutting edge chemical technology with a unique blend of safe, water based solvents, surfactants and specially designed enzymes to liquefy dried ink rapidly without any corrosive effect on equipment.

Used exclusively with CleanPrint's patented automatic cleaning system, EVOLUTION BIOCLEAN's optimised technology improves cleaning performance and reduces solids in waste water, bringing more savings in production and maintenance costs.

Depending on your shift structure, you may increase your production output and revenue by an extra hour per day.

EVOLUTION BIOCLEAN can be used to safely and quickly remove ink off all surfaces in your plant. Non-corrosive and non-hazardous.

BIOCLEAN EVOLUTION delivers:

- TWO-FOUR MINUTE wash cycle
- Unique blend of special enzymes
- Breakthrough solvent technology
- Dissolves dried ink even faster than before
- Low 2-2.5% dilution rates
- Increased production capability
- Greater maintenance savings
- Increased operator effectiveness
- Easier and quicker plate cleaning
- Reduced solid content in waste water
- Better waste water compliance
- Increased pride in machine care
- Non-corrosive and non-hazardous
- Your printers love it !

WHY ENZYMES?

Enzymes are biological molecule catalysts that act on molecules like ink and starch. They don't get used up in each reaction and can work in the right conditions until all the ink and starch is broken apart and dissolved. Enzymes are a part of nature and are fully biodegradable.

Cleaning in Place - Enzyme based detergents do not require plant to be disassembled.

Other corrugated box industry products include:

EVOLUTION STARCH OFF - For controlling starch build ups



**2-4
Minute
Wash Cycle**

The CleanPrint Automated System

The patented CleanPrint System pulls **EVOLUTION BIOCLEAN** concentrate from a 1000lt/264-gallon tote, dilutes it and delivers it directly to every print station. There, it ties into the water lines and uses a special electronic control to deliver EBC to the anilox rolls and ink systems. This program reduces the time required for wash-ups to as little as 2-4 minutes. Each machine also gets a hand-held sprayer, this gives the operators the power to clean print plates, ink trays and the machine body itself before leftover ink becomes a problem.

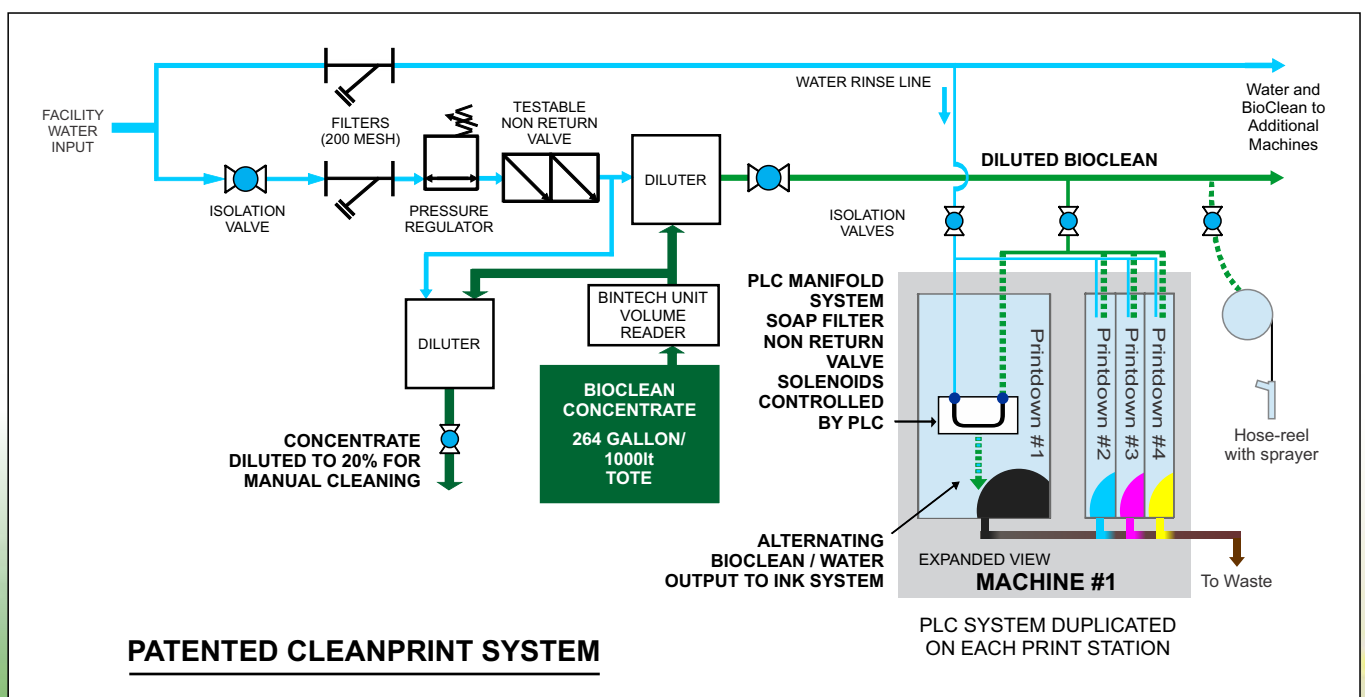
The system is designed to inject **EVOLUTION BIOCLEAN** into the ink lines. It is simple to install and easy to maintain and use.

The Components of the system are:

- Facility water supply
- Binteck Usage Reporter
- Diluting unit
- PLC with programmed 2, 4 and 6 minute wash cycles
- Switching manifold
- Plumbing directly to machines
- Foamer / sprayer

The regular use of the CleanPrint System turns back the clock on ink system wear and tear. Instead of slowing down the rate at which dried ink builds up in the system, **EVOLUTION BIOCLEAN** washes away old ink from anilox rolls, ink lines, pumps and supporting equipment.

When you incorporate the patented CleanPrint System, you immediately begin to return your anilox rolls and ink systems to like-new condition and keep them that way. In the short term, you are able to reduce downtime for cleaning, save ink and increase print quality while reducing the time to good print. Over a longer time period, you lengthen the life of your anilox rolls and doctor chambers, reduce pump failures and eliminate lengthy deep cleans like media blasting, ultrasonic cleaning and chemical treatments. Operators develop pride in the cleanliness of your machines and are eager to use the CleanPrint System to keep them that way.



Evolution

Gain an extra hour production a day

- Centralized automatic cleaning system for all converting lines
- Automation eliminates chemical cleaning Health & Safety issues
- Tidy, simple and automatic
- Reduced manual labour for Anilox Roll Cleaning
- Increased production time with less breakdowns
- Superior printing
- Product formulation will not corrode doctor blades or blister anilox rolls or damage rubber rolls and seals on bearings
- Reduction in the use of ink and water
- System uses approx half manual cleaning wash-up
- Concentrated EVOLUTION BIOCLEAN comes in a 264gal/1000 lt tote and makes 13,200gal/50,000 litres of wash up
- Significant direct and indirect cost savings

**2-4
Minute
Wash Cycle**

Take our Challenge...

Take any two-color Flexo or Rotary Die Cutter in your plant ...

Install just one CleanPrint Automatic System

Let us prove it is the best investment in anilox cleaning you ever made ... or your money back !*

*You will need to provide hoses, water filter, check valve and a few other plumbing items, plus shut-off valve for drum installation. Conditions apply, please contact us to discuss your requirements.

Contact us now for more information and a convincing on-site demonstration



www.cleanprintsolutions.com



Ecochem Australia Pty Ltd
110 South Mountain Road
Upper Plenty, VIC. 3756
Ph: +613 5783 2902
Mob: +61 448 823 309



Go online to Evolution BioClean