

Evolution

BIOCLEAN

Gain an extra 30+ minutes production a day

Installation and Component Guide



www.cleanprintsolutions.com

EVOLUTION BIOCLEAN - YOUR ANILOX'S ARE ALWAYS CLEAN. A COMPLETE TOTALLY AUTOMATED SOLUTION FOR YOUR PLANT

Evolution

BIOCLEAN

System Installation - Component Guide

1 Water supply 3/4in / 20mm

2 Isolation Valve (Gate valve)

3 Y Filter Strainer

4 Pressure Limiting Valve

5 RPZ (testable non-return valve)

6 Diluter

7 Binteck Volume Reader

8 Heat Exchange Unit

9 Temperature Guage

10 Programmable Logic Controller (PLC)

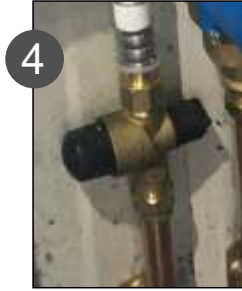
11 Manifold

12 Circulation Pump

13 Flow line 1in / 25mm insulated copper or stainless steel Ring Main

14 Hose Reel with a foaming gun and a manual tap at each machine

15 Evolution BioClean Tote and Binteck Volume Reader



Evolution BIOCLEAN

The Patented CleanPrint System

The water supply must be clean, it is prepared for use in the system with valves, filters and a pressure regulator. Isolation valves are used in the system to allow for ease of maintenance. The water then enters the diluter where it combines with the Evolution BioClean.



The bulk supply 264 gallon/1000 lt tote cleaning solution is placed at a convenient position in the plant where the concentrate is piped to the diluter. The Bintech volume reader sends usage data via the mobile network to plant management, so usage can be monitored and optimized and any wastage controlled. Once the BioClean leaves the diluter it is piped to each machine via a Heat Exchange Unit where it is heated to 35-40°C for optimal performance.



Two circulating pumps are used alternately each 12 hours to prolong pump life and to provide a backup against failure, whilst providing continuous product supply.



Each print deck has a Programmable Logic Controller that controls the automatic dosage of Evolution BioClean through a manifold system to the 2-4 minute programmed wash and rinse cycle. The inline cleaning process leaves the anilox rolls, pumps and pipes clean and ready for use without causing any wear or tear on rolls, alleviating the need for removal and heavy cleaning. Each machine has a foaming spray wand for cleaning plates and externals of equipment. Always foam plates from the bottom to the top.



A separate pipe carries Evolution BioClean from the tote through another diluter to provide a higher concentration solution for manual washups during maintenance shut downs.



On completion of the installation we will walk the appropriate person the plant chooses (fitter that participated in the installation) through the system. CleanPrint will spend a day explaining the system to the operators to ensure correct understanding of operation.

The plant will sign off that the installation is satisfactorily completed. Then the plant takes ownership of the installation and will maintain the system with very minimal maintenance required.

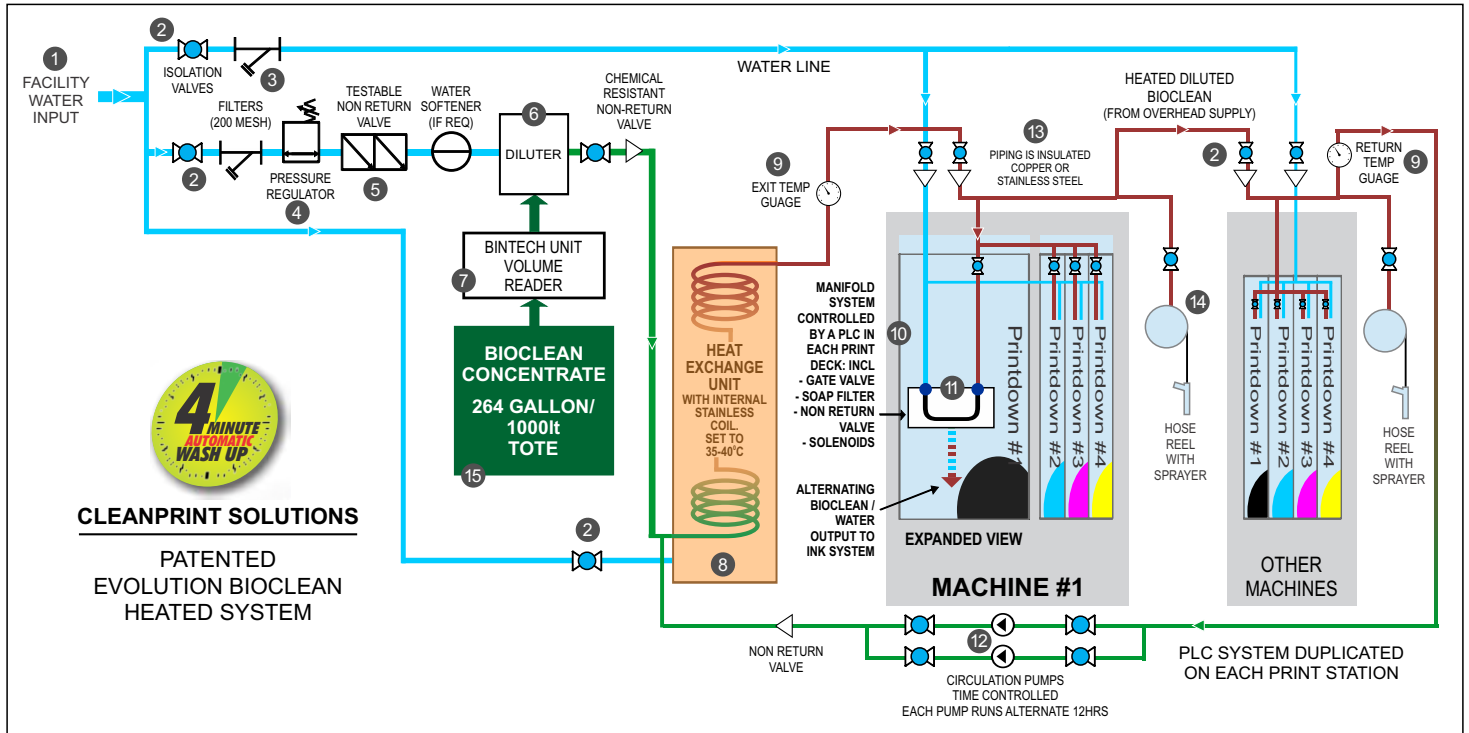


Cleanprint will warranty the hardware if correctly maintained for 12 months.

Evolution BioClean Tote

Evolution BIOCLEAN

EBC Installation - System Diagram



Patented Technology

Our 'Cleaning-in-Place' automatic productivity systems are patented technology offering 'End-to-End' corrugator-to-converter game changing solutions to optimize productivity.

Evolution

BIOCLEAN

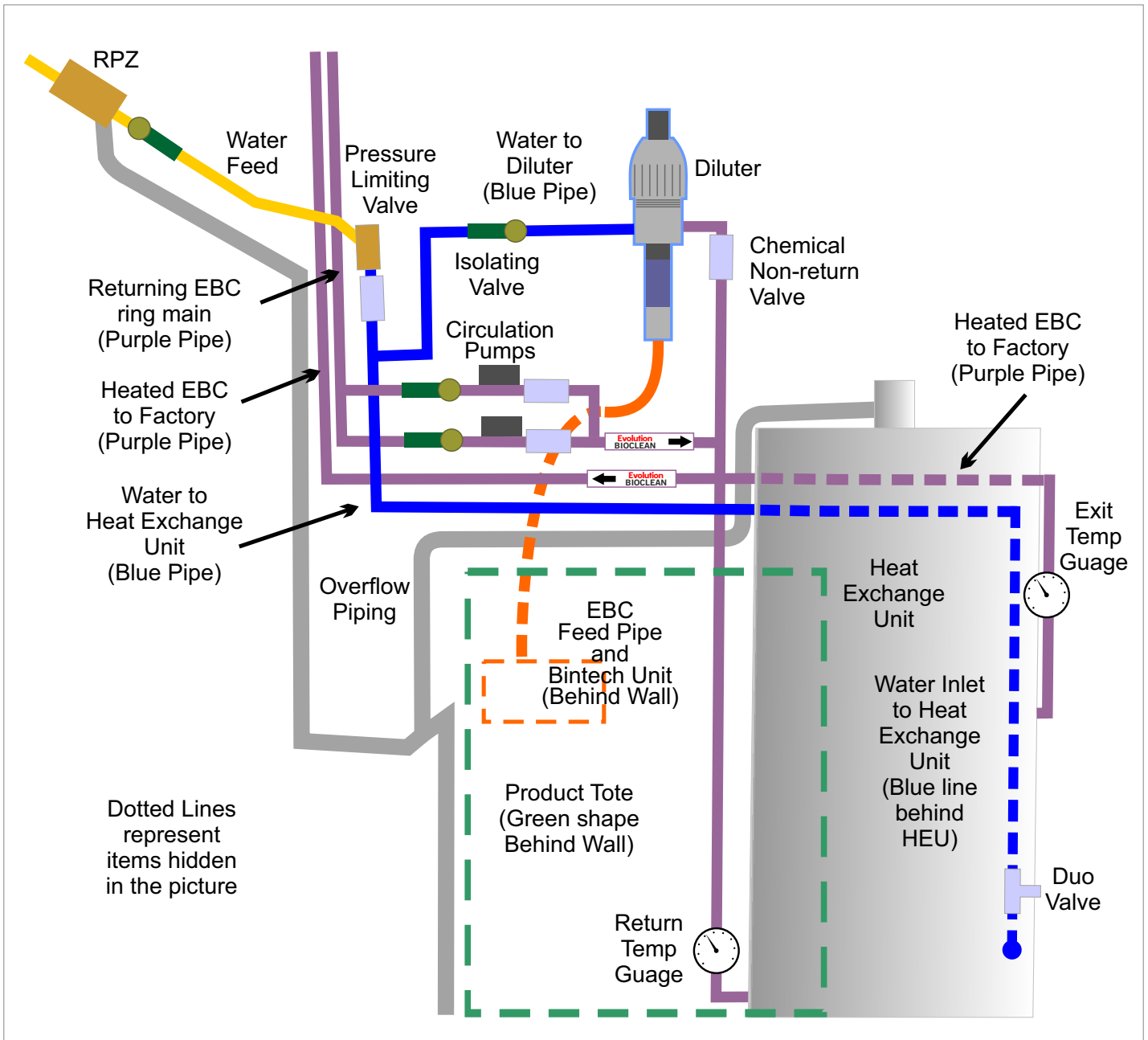
EBC Installation - System Images



Heat Exchange Unit and associated system plumbing above.
Next page is a diagram explaining the picture

Evolution BIOCLEAN

EBC Installation - System Images



Evolution

BIOCLEAN

EBC Installation - System Images



Evolution

BIOCLEAN

EBC Installation - System Images



Evolution BIOCLEAN

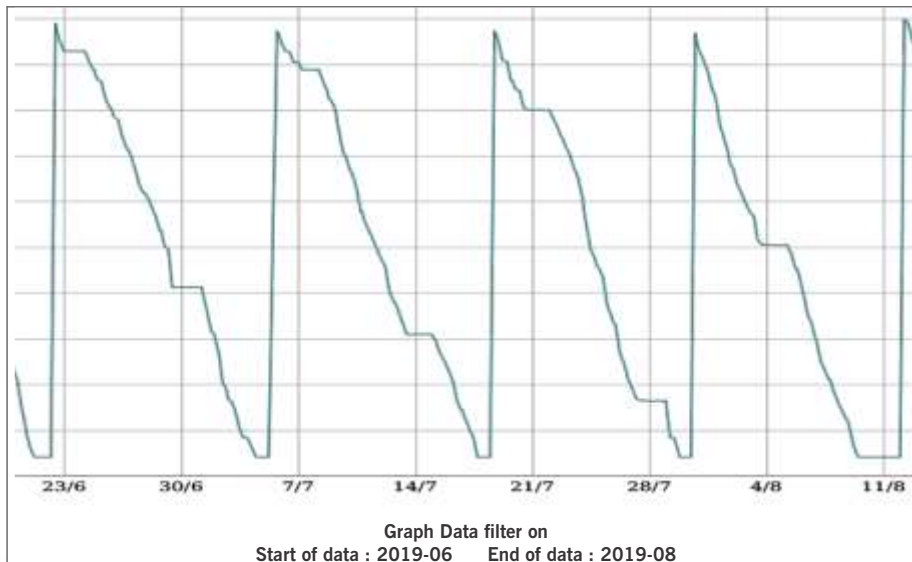
EBC Bintech Volume Reader



The Binteck auto volume monitoring unit delivers readings of BioClean usage three times a week via the mobile phone network in a graph format pictured below.

This can also send alerts to the site's storeman to replace and reorder.

This also allows you to see that the equipment is working correctly.



EVOLUTION BIOCLEAN is optimised, unique, simple, safe and effective

Contact us now for more information and a convincing on-site demonstration


CleanPrint Solutions **Ecochem Australia**
Natural Cleaning Solutions
www.cleanprintsolutions.com



Ecochem Australia Pty Ltd
110 South Mountain Road
Upper Plenty, VIC. 3756
Ph: +613 5783 2902
Mob: +61 448 823 309



Go online to Evolution BioClean